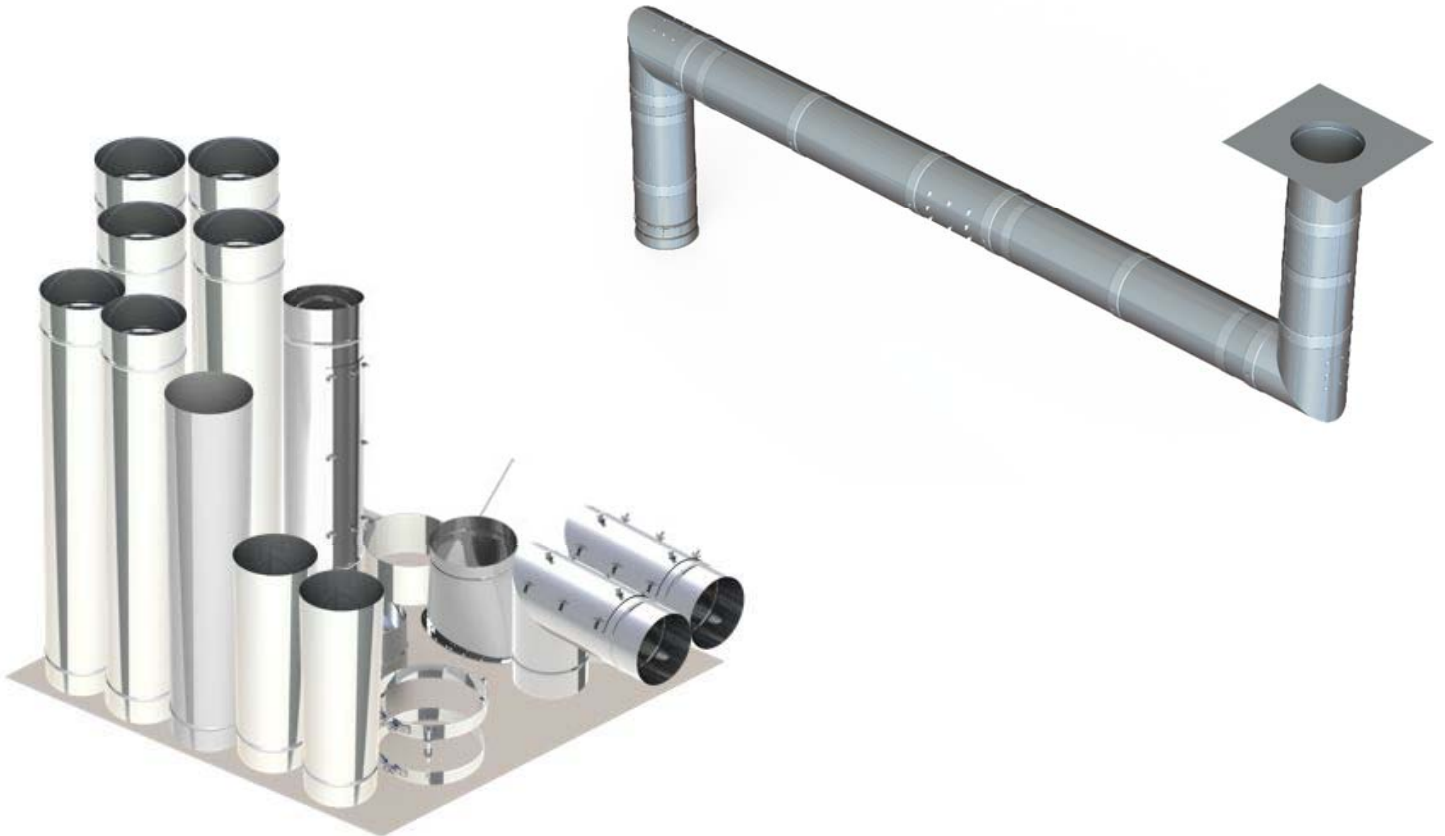


Grease Duct Spec

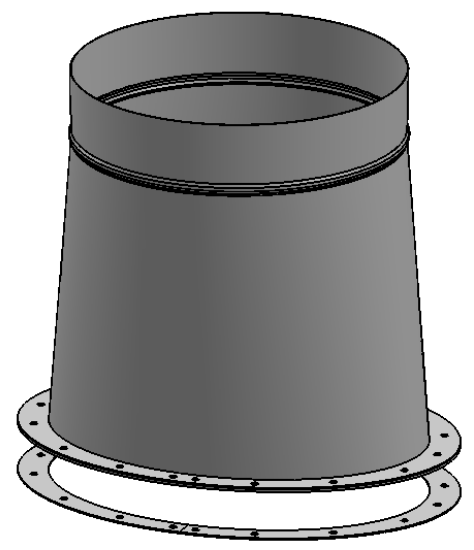
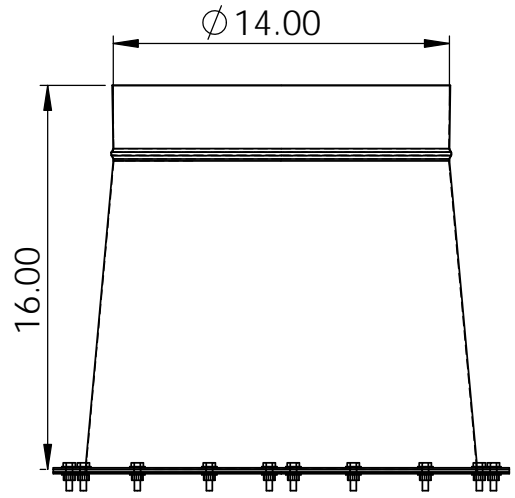
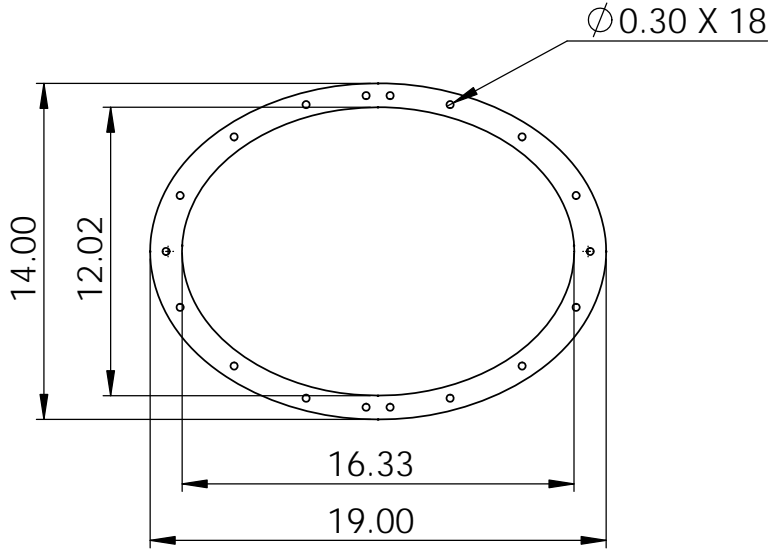
Model:

SW-NAKS-KIT08



Single Wall Conical 14"
with Two Elbows

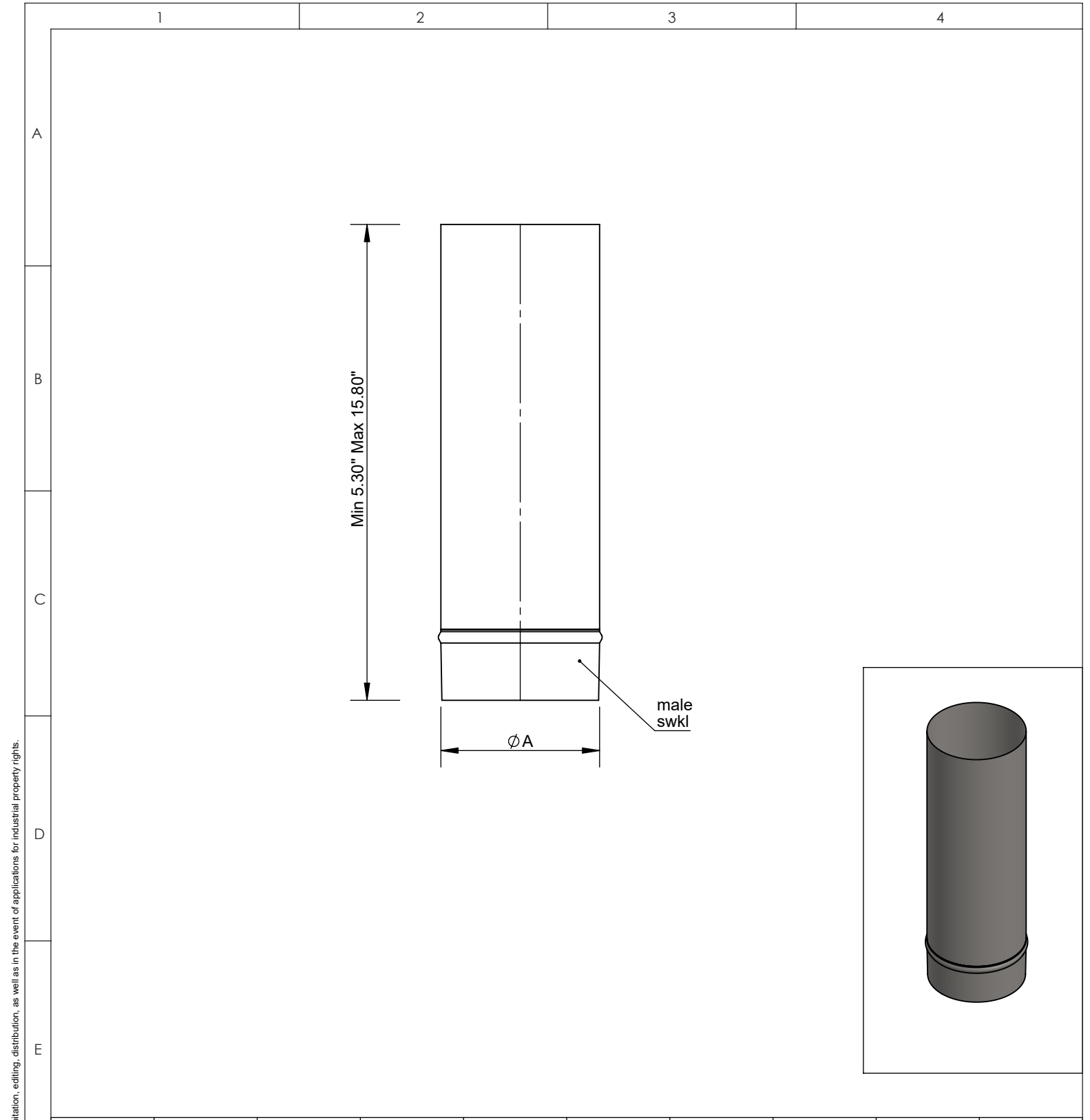


A
B
C
D
E



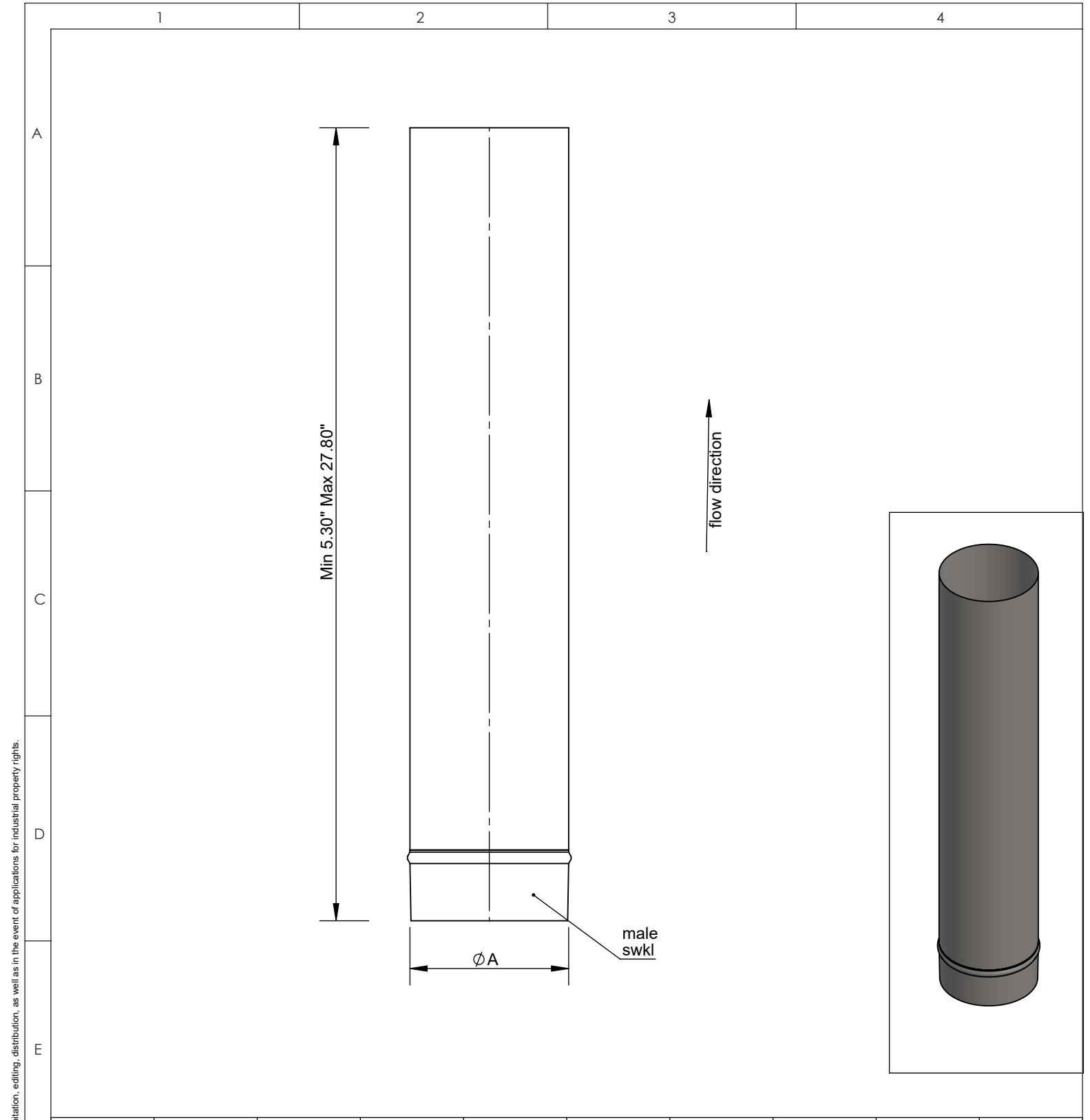
Ø	14	16	18	20	22
A	14	16	18	20	22

material: inside/outside	304	surface: inside/outside	BA	inch / lb			 NORTH AMERICAN KITCHEN SOLUTIONS INCORPORATED	scale
				revisions-no.				format US LETTER
F			date	name	description No-Weld Hood Adapter	code SWNAKS14-NWHA	sheet	
			drawn by					
			checked by					
			approved by					
		modified by			drawing no.			





© NAKS Inc. All rights reserved, also regarding any disposal, exploitation, editing, distribution, as well as in the event of applications for industrial property rights.

	Ø	10	11	12	13	14	16	18	20	22	
	A	10	11	12	13	14	16	18	20	22	
F	material: inside/outside	304		surface: inside/outside	BA		<div style="display: flex; align-items: center;"> <div> <p>NORTH AMERICAN KITCHEN SOLUTIONS INCORPORATED</p> </div> </div>				scale
	inch / lb		revisions-no.		A						format
	description		date		name		KAB		18" Cut Length		US LETTER
	drawn by		checked by		approved by		code		SWNAKSØ-18CL		sheet
	modified by		drawing no.								



© NAKS Inc. All rights reserved, also regarding any disposal, exploitation, editing, distribution, as well as in the event of applications for industrial property rights.

	Ø	10	11	12	13	14	16	18	20	22	
	A	10	11	12	13	14	16	18	20	22	
F	material: inside/outside	304		surface: inside/outside	BA		inch / lb				scale
				revisions-no.		 NORTH AMERICAN KITCHEN SOLUTIONS INCORPORATED				format	
				date	name					description	
				drawn by			code				sheet
				checked by							SWNAKSØ-30CL
			approved by			drawing no.					
			modified by								

1

2

3

4

A

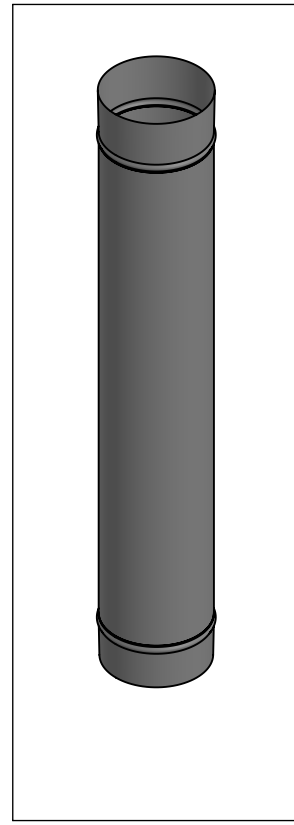
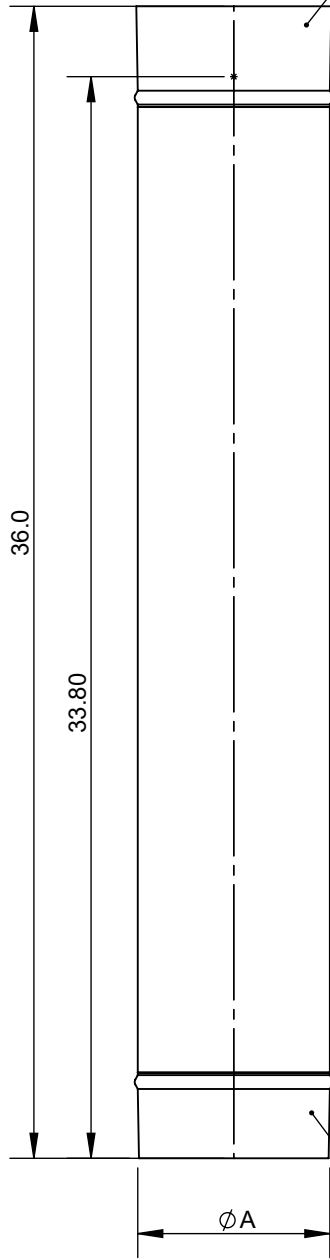
B

C



D

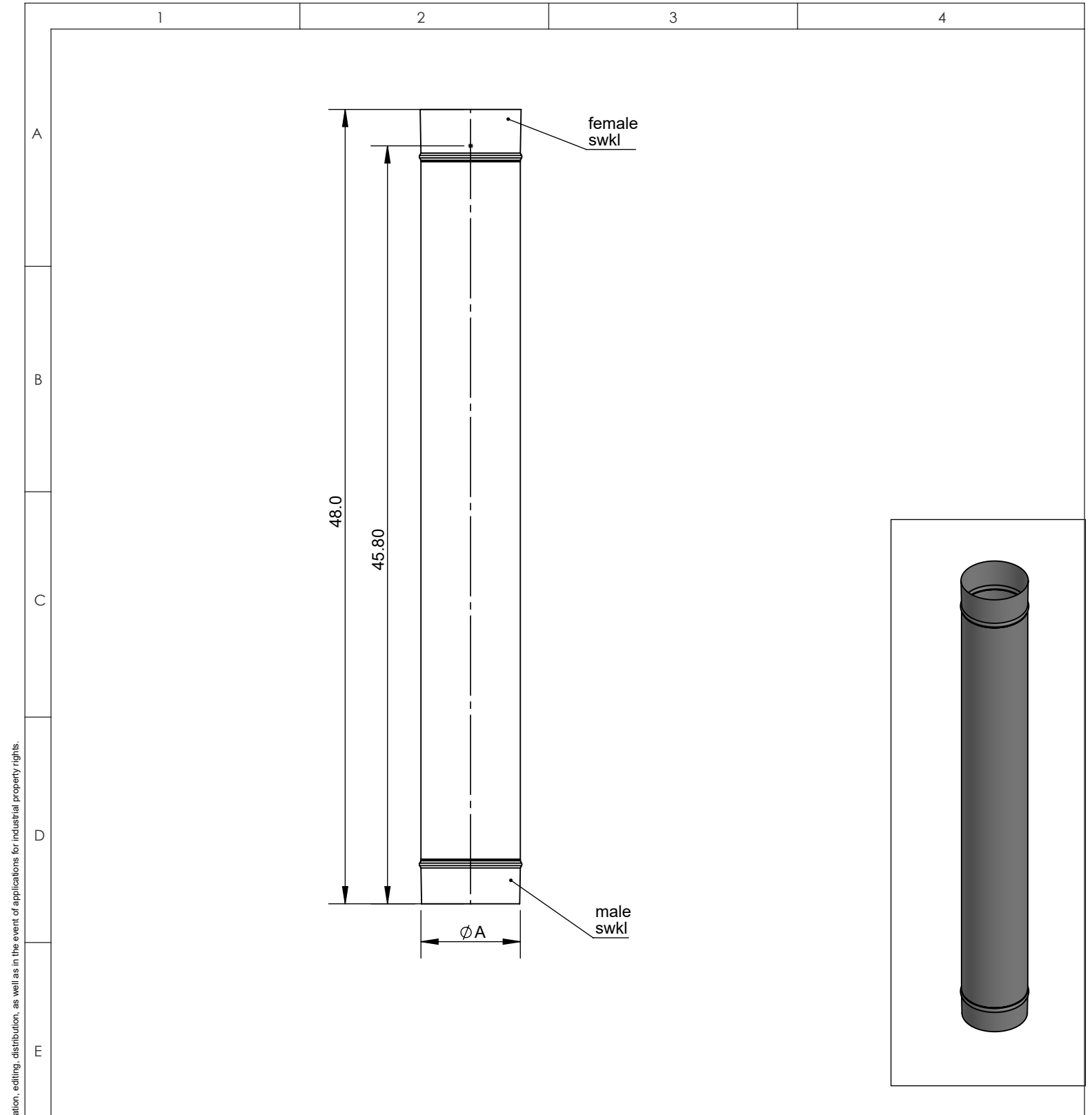
E

female swkl



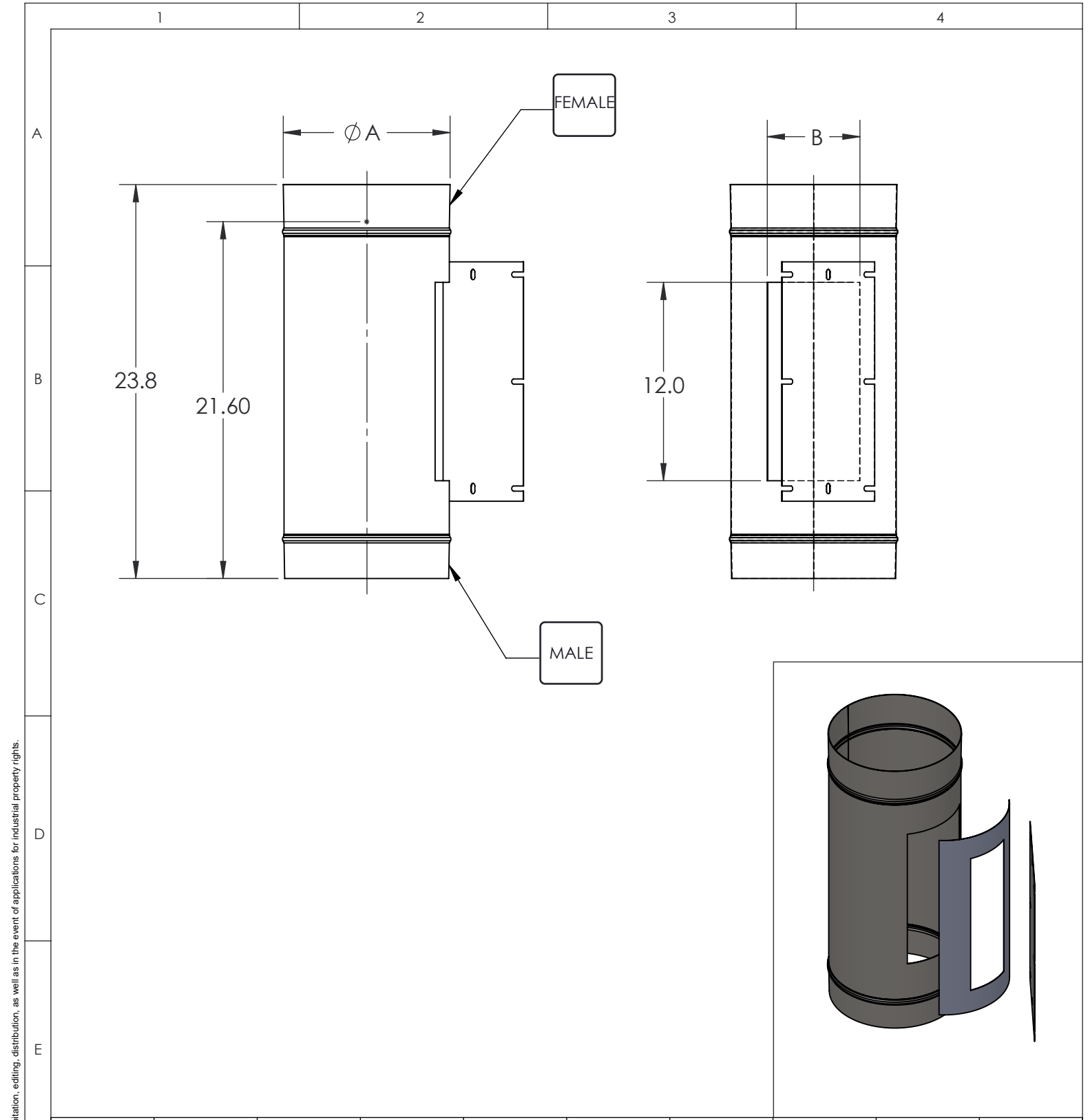
© NAKS Inc. All rights reserved, also regarding any disposal, exploitation, editing, distribution, as well as in the event of applications for industrial property rights.

\varnothing	10	11	12	13	14	16	18	20	22		
A	10	11	12	13	14	16	18	20	22		
material: inside/outside	304	surface: inside/outside	BA	inch / lb				revisions-no.		 NORTH AMERICAN KITCHEN SOLUTIONS INCORPORATED	scale
description		36" Fixed Length		date	name	code		SWNAKSØ-36L			format US LETTER
drawn by				checked by				drawing no.		sheet	
approved by				modified by							





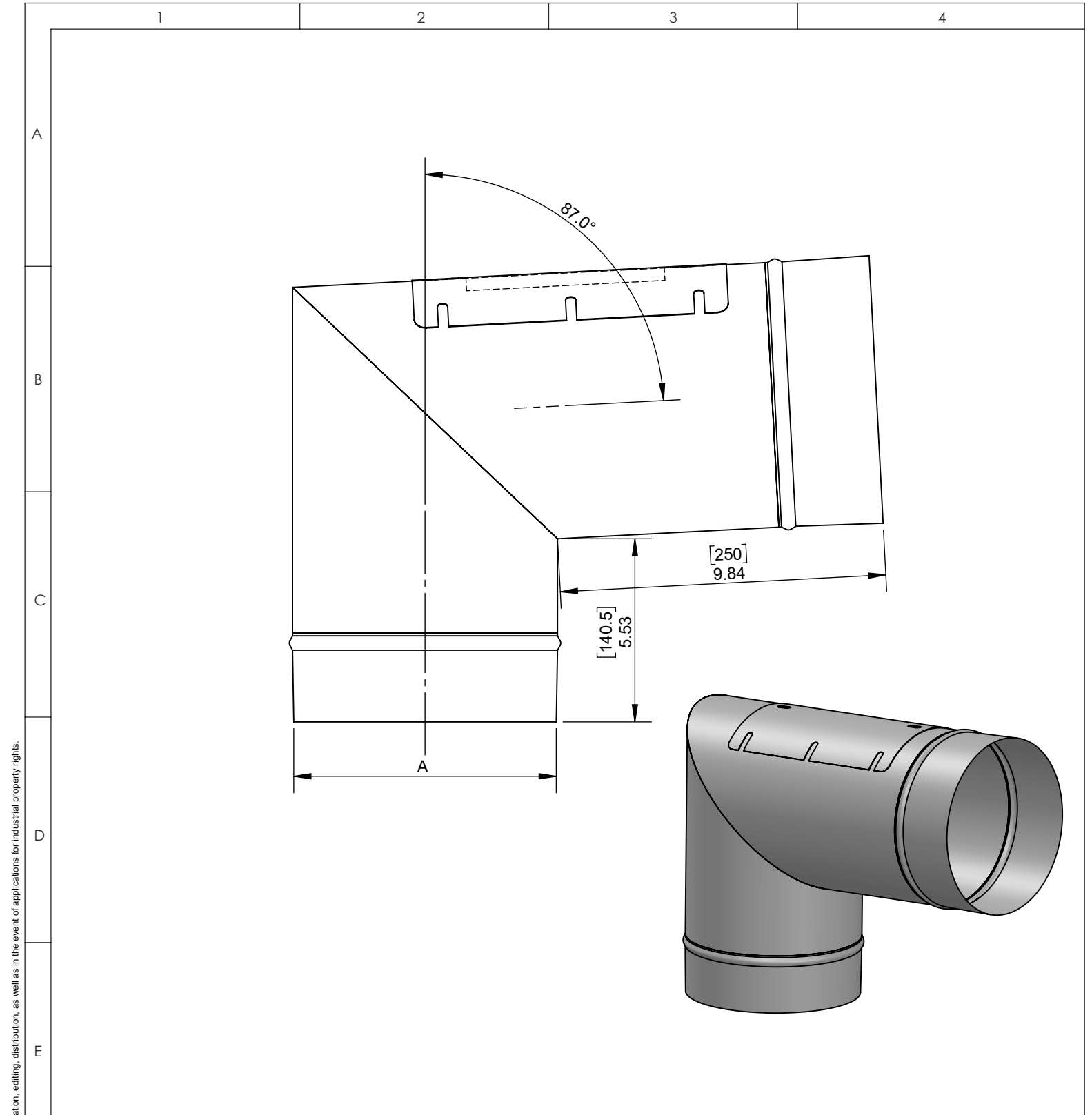
© NAKS Inc. All rights reserved, also regarding any disposal, exploitation, editing, distribution, as well as in the event of applications for industrial property rights.

	Ø	10	11	12	13	14	16	18	20	22		
	A	10	11	12	13	14	16	18	20	22		
F	material: <small>inside/outside</small>		surface: <small>inside/outside</small>		inch / lb						<div style="display: flex; align-items: center;"> <div style="text-align: left;"> <p>NORTH AMERICAN KITCHEN SOLUTIONS <small>INCORPORATED</small></p> </div> </div>	scale
	304		BA		revisions-no.							format
					date	name	description 48" Fixed Length					US LETTER
					drawn by		code					sheet
					checked by		SWNAKSØ-48L					
				approved by		drawing no.						
				modified by								





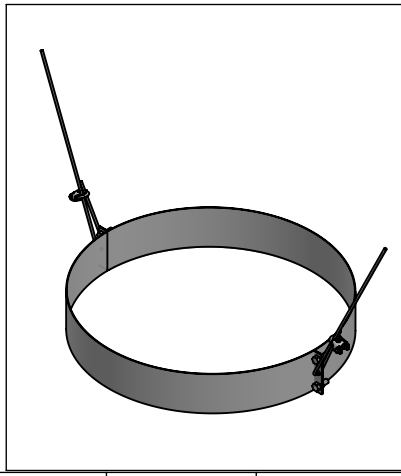
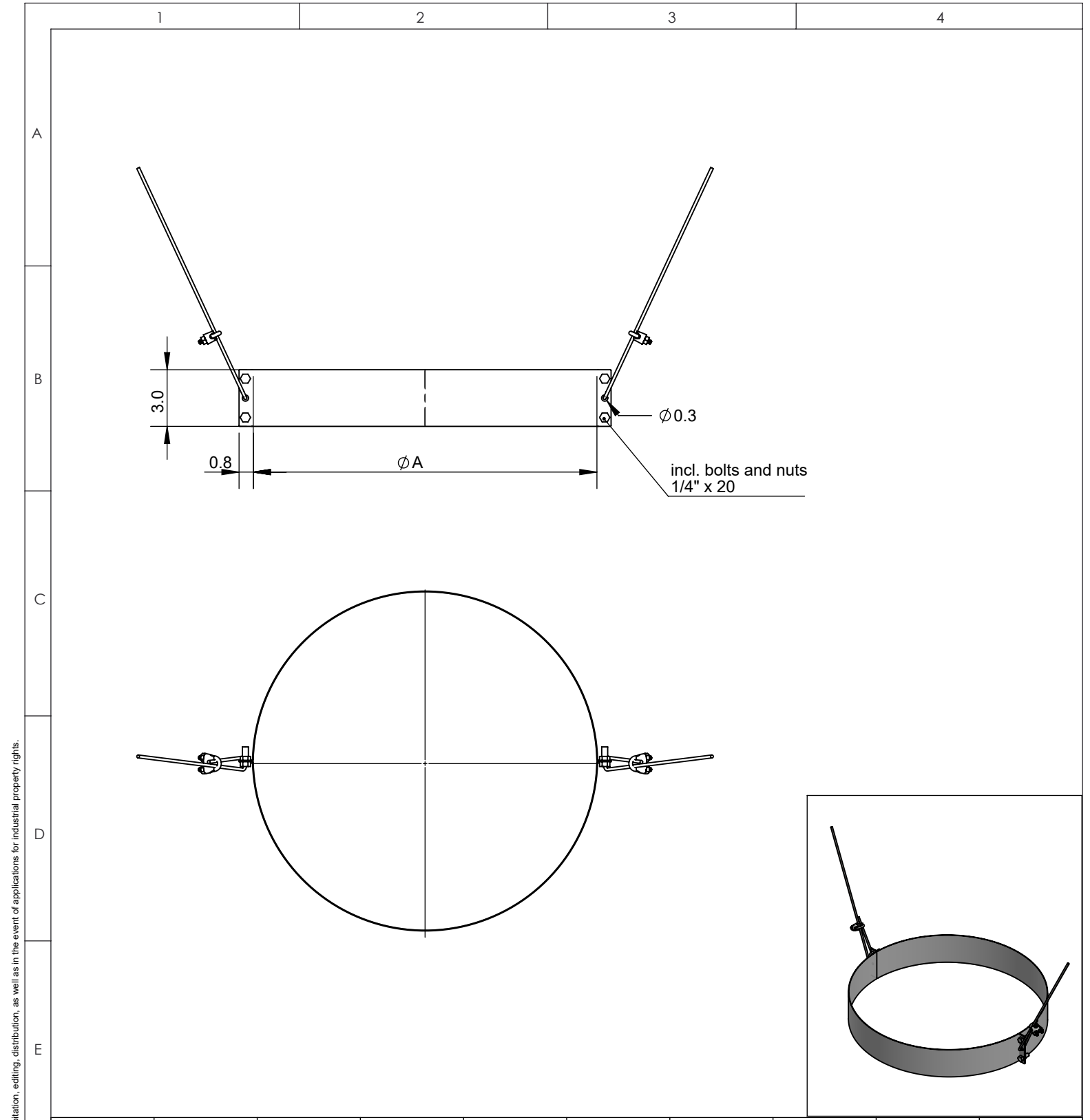
© NAKS Inc. All rights reserved, also regarding any disposal, exploitation, editing, distribution, as well as in the event of applications for industrial property rights.

	Ø	10	11	12	13	14	16	18	20	22	
	A	10	11	12	13	14	16	18	20	22	
F	material: inside/outside		surface: inside/outside		inch / lb						scale
	304		BA		revisions-no.						format
					date	name	description				US LETTER
					drawn by						sheet
					checked by						
				approved by		code					
				modified by		SWNAKSØ-IAD					
				drawing no.							





© NAKS Inc. All rights reserved, also regarding any disposal, exploitation, editing, distribution, as well as in the event of applications for industrial property rights.

	Ø	10	11	12	13	14	16	18	20	22		
	A	10	11	12	13	14	16	18	20	22		
F	material: inside/outside	304		surface: inside/outside	BA		inch / lb				scale	
				revisions-no.		 NORTH AMERICAN KITCHEN SOLUTIONS INCORPORATED				format US LETTER		
					date					name	description 87 Degree Elbow w/ Access	
					drawn by			code SWNAKSØ-87EA				
					checked by			drawing no.				
				approved by								
				modified by								

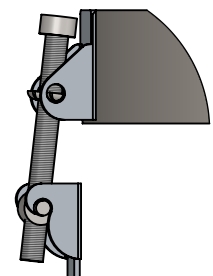
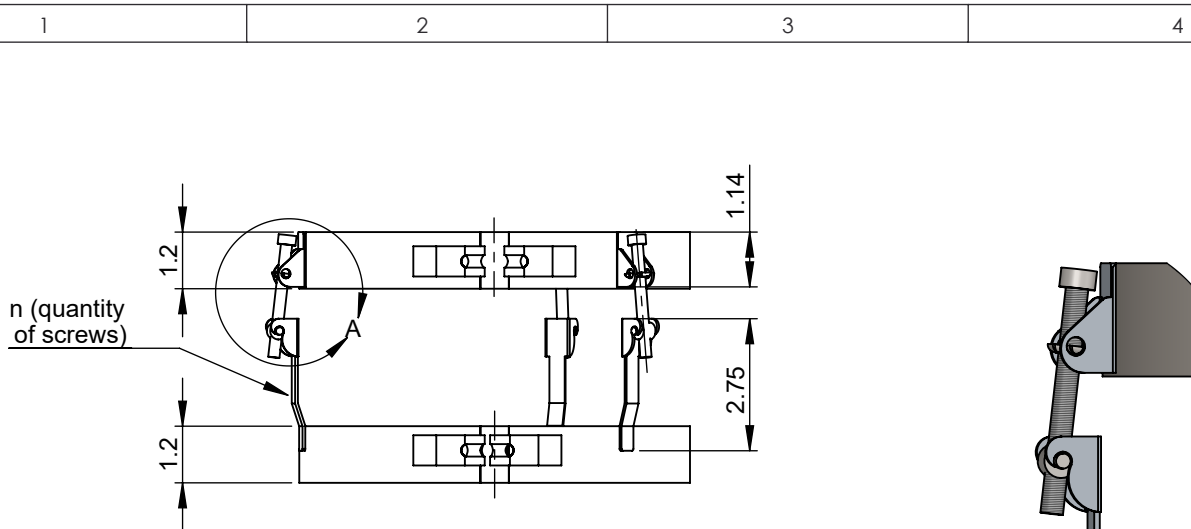


Ø	10	11	12	13	14	16	18	20	22
A	10	11	12	13	14	16	18	20	22

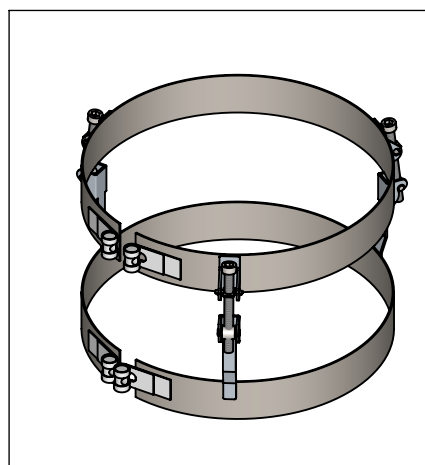
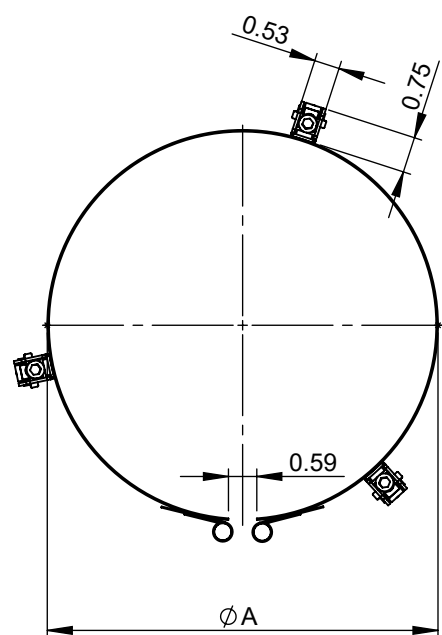
F	material: inside/outside	304	surface: inside/outside	BA	inch / lb		 NORTH AMERICAN KITCHEN SOLUTIONS INCORPORATED	scale
			revisions-no.		A			format
			date	name	description			US LETTER
			drawn by		code			sheet
			checked by		SWNAKSØ-LSB			
		approved by		drawing no.				
		modified by						

© NAKS Inc. All rights reserved, also regarding any disposal, exploitation, editing, distribution, as well as in the event of applications for industrial property rights.


© NAKS Inc. All rights reserved, also regarding any disposal, exploitation, editing, distribution, as well as in the event of applications for industrial property rights.

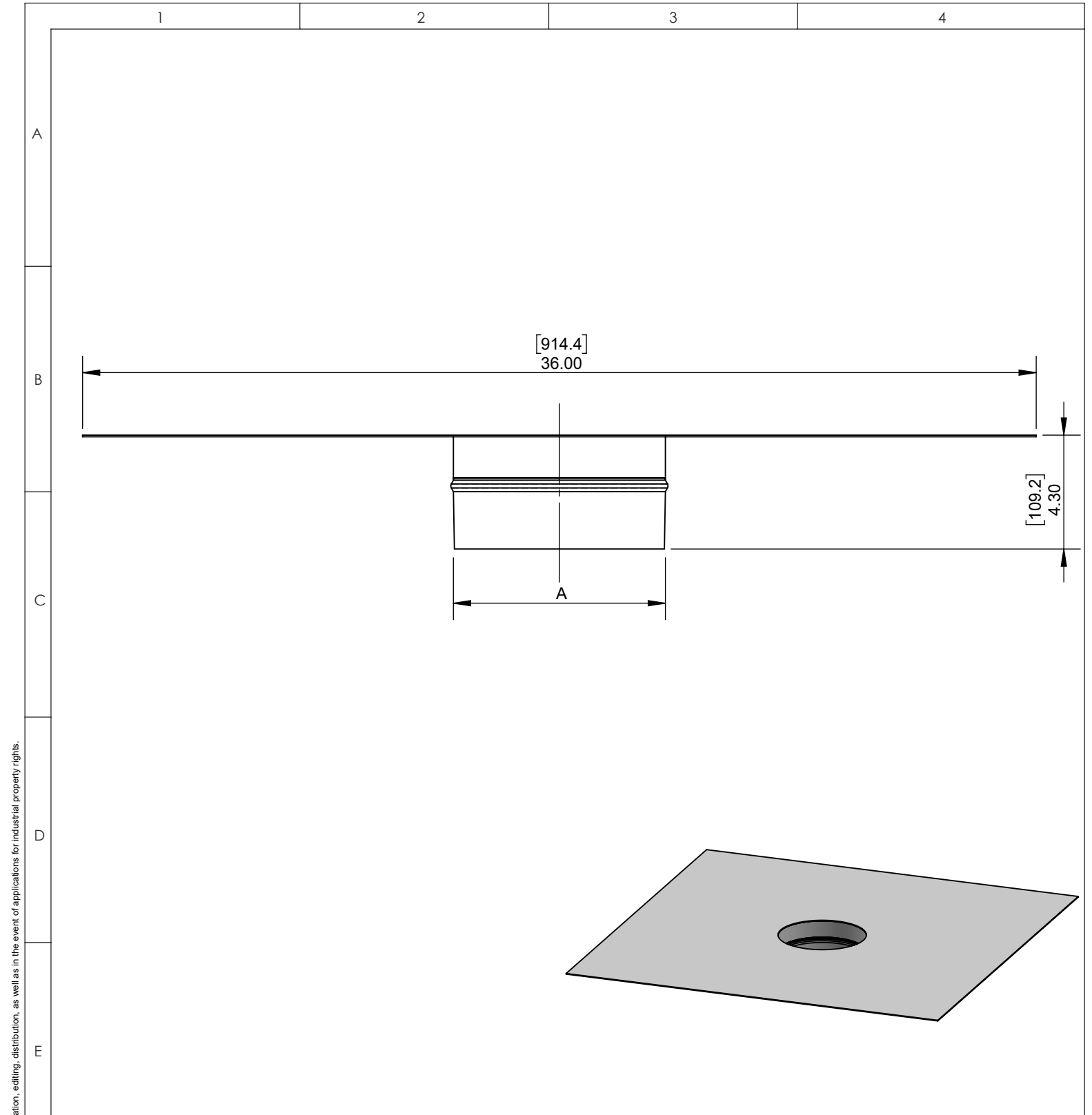


DETAIL A




Ø	10	11	12	13	14	16	18	20	22
A	10	11	12	13	14	16	18	20	22

material: inside/outside	304	surface: inside/outside	BA	inch / lb		 NORTH AMERICAN KITCHEN SOLUTIONS INCORPORATED	scale
				revisions-no.	A		format US LETTER
F			date		name		description KL Clamp
			drawn by				
			checked by				
			approved by				
		modified by				code SWNAKSØ-KLC	sheet
						drawing no.	



© NAKS Inc. All rights reserved, also regarding any disposal, exploitation, editing, distribution, as well as in the event of applications for industrial property rights.

	Ø	10	11	12	13	14	16	18	20	22	
	A	10	11	12	13	14	16	18	20	22	
F	material: inside/outside	304		surface: inside/outside	BA		inch / lb				scale
				revisions-no.		 NORTH AMERICAN KITCHEN SOLUTIONS INCORPORATED				format	
					date					name	description
					drawn by		36"x36"			sheet	
					checked by		code	SWNAKSØ-FPE:36x36			
				approved by		drawing no.					
				modified by							